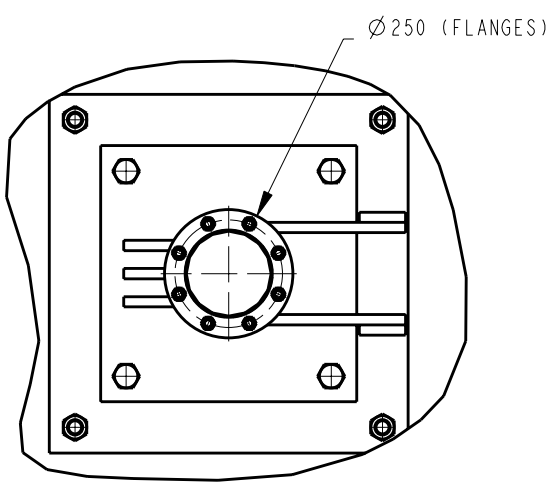
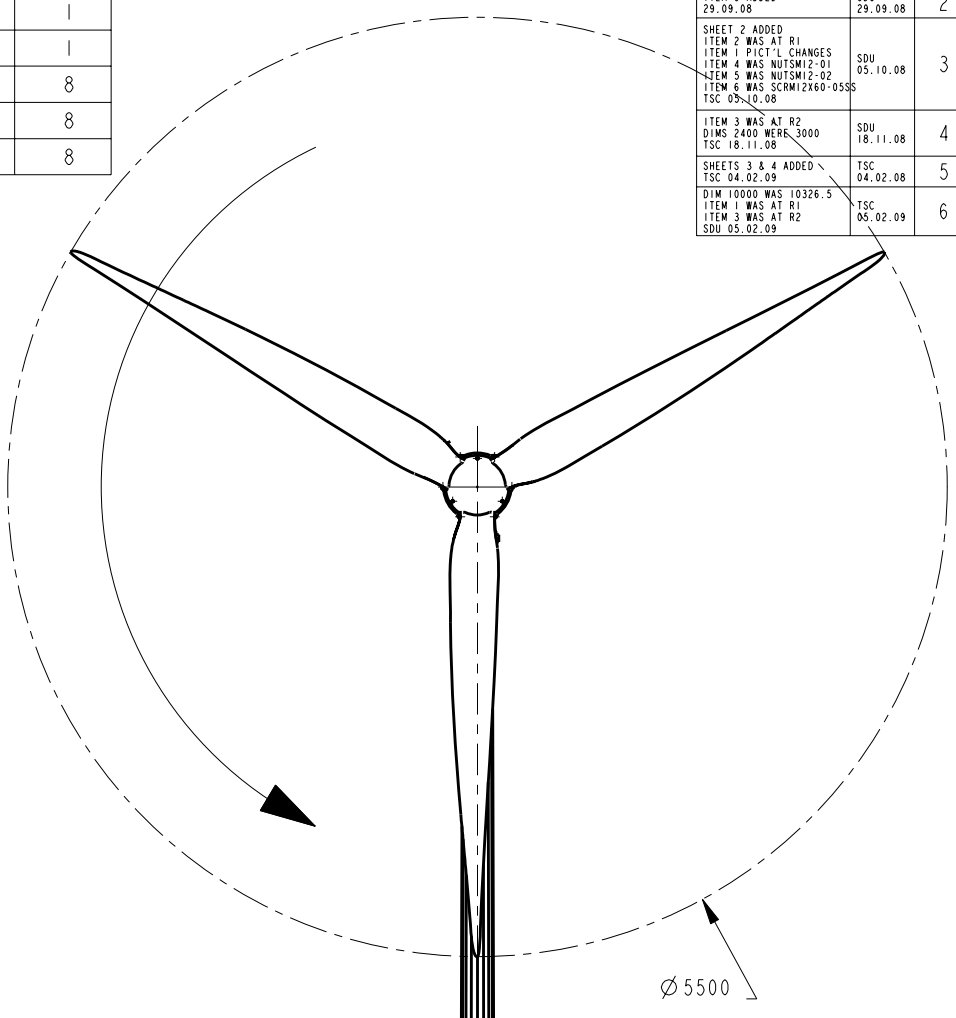
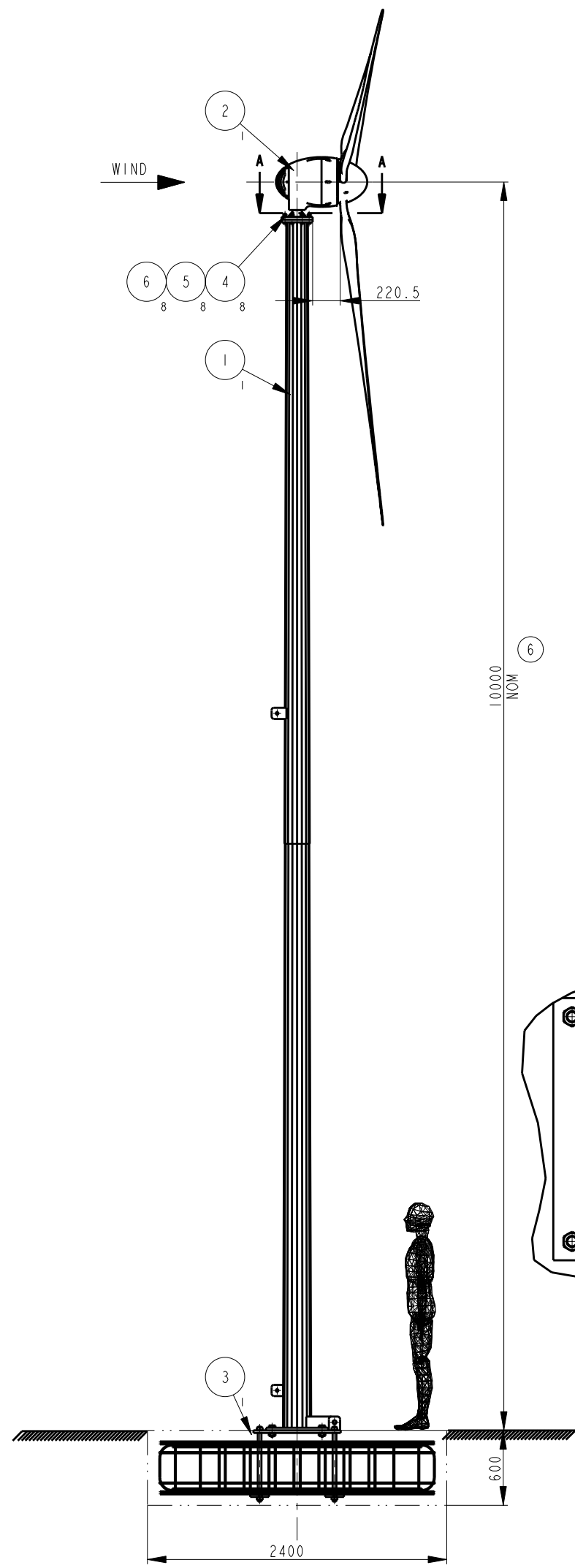
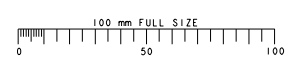


ITEM NO:	DESCRIPTION:	AMPAIR PART NO:	Q.T.Y:
1	STANTON 10M TOWER	ASMB00258	1
2	AMPAIR-6000	ASMB00260	1
3	MAST FOUNDATION (AMPAIR-6000)	ASMB00262	1
4	NUT FULL PLATED M16	NUTSM16-01	8
5	NUT THIN PLATED M16	NUTSM16-02	8
6	BOLT HEX HEAD M16X70	SCRM16X70-05SS	8

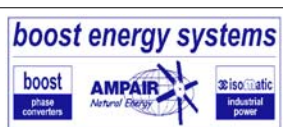
REVISION	DATE	STATUS
1	24.09.08	SDU
2	29.09.08	SDU
3	05.10.08	SDU
4	18.11.08	SDU
5	04.02.09	TSC
6	05.02.09	TSC



SECTION A-A  
SCALE 0.200



DO NOT SCALE  
THIRD ANGLE PROJECTION  
REMOVE BURRS & SHARP EDGES  
COPYRIGHT NOTICE  
THIS DRAWING BELONGS TO BOOST/AMPAIR  
AND IS ISSUED FOR INFORMATION PURPOSES ONLY  
ALL RIGHTS RESERVED  
NO PART OF THIS DRAWING MAY BE REPRODUCED  
OR TRANSMITTED IN ANY FORM OR BY ANY MEANS  
ELECTRONIC OR MECHANICAL, INCLUDING PHOTOCOPYING,  
RECORDING, OR BY ANY INFORMATION STORAGE AND  
RETRIEVAL SYSTEM, WITHOUT THE WRITTEN PERMISSION OF THE COPYRIGHT  
OWNER, BOOST/AMPAIR

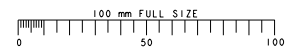
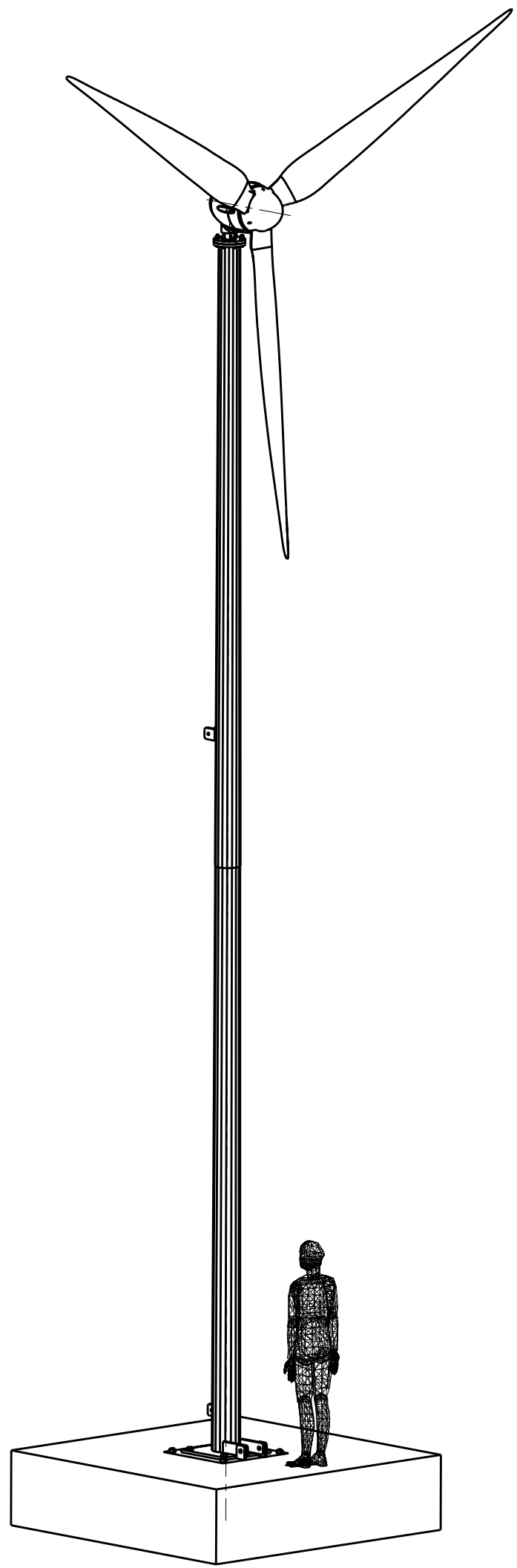
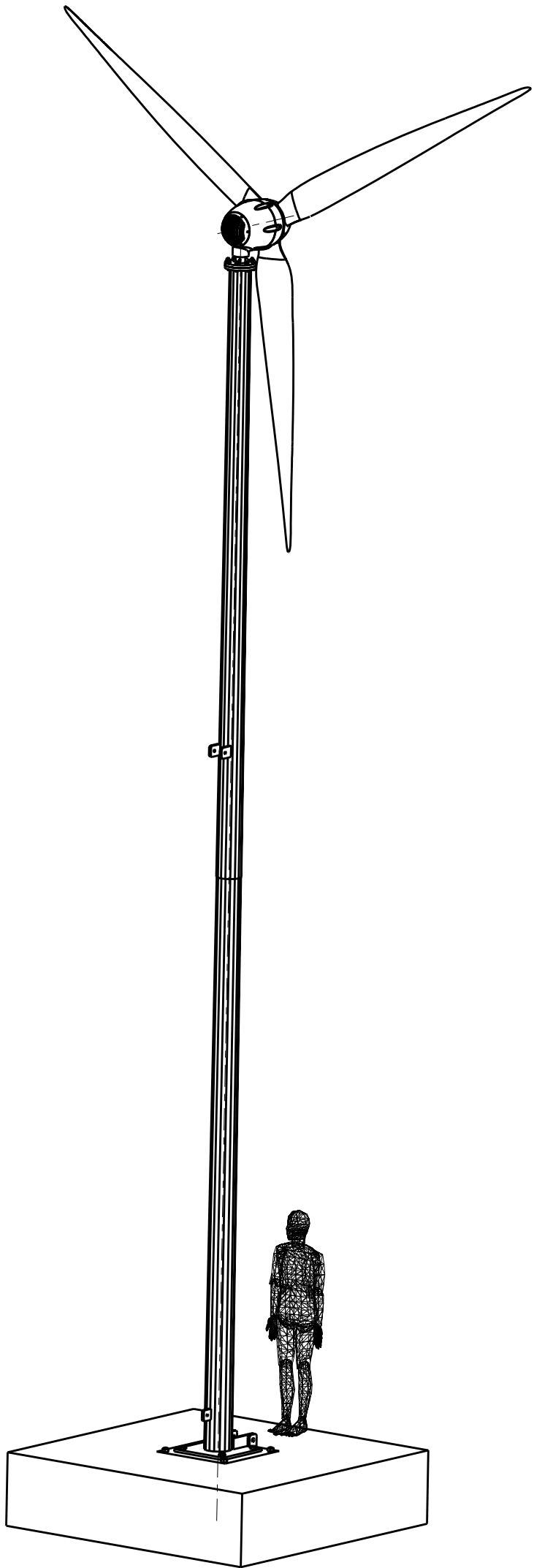


GENERAL TOL: SCALE: 0.067  
LIN +/- 0.3  
ANG +/- 0.5  
MATERIAL: SEE BOM  
FINISH: NATURAL

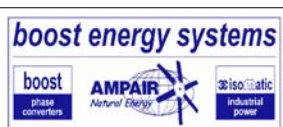
FIRST USED ON:	*
APPROVED FOR MANUFACTURE:	DATE:
CHECKED BY: SDU	DATE: 24.09.08
DRAWN BY: TSC	DATE: 24.09.08
TITLE: AMPAIR-6000 ON A 10M STANTON TOWER	
CUSTOMER PART NO:	
DRAWING NO: ASMB00261   OF 4	

ALL MEASUREMENTS ARE IN MM

LATEST MODEL REV:	6	A0
REVISION	CHECKED	REVISION
DRAWN BY DATE:	BY DATE:	STATUS:
SEE SHEET 1		



DO NOT SCALE  
THIRD ANGLE PROJECTION  
REMOVE BURRS & SHARP EDGES  
COPYRIGHT NOTICE  
THIS DRAWING BELONGS TO BOOST/AMPAIR.  
ALL RIGHTS RESERVED.  
NO PART OF THIS DRAWING MAY BE REPRODUCED  
OR TRANSMITTED IN ANY FORM OR BY ANY MEANS  
ELECTRONIC OR MECHANICAL, INCLUDING PHOTOCOPYING,  
RECORDING, OR BY ANY INFORMATION STORAGE AND RETRIEVAL SYSTEM,  
WITHOUT THE WRITTEN PERMISSION OF THE COPYRIGHT  
OWNER, BOOST/AMPAIR.

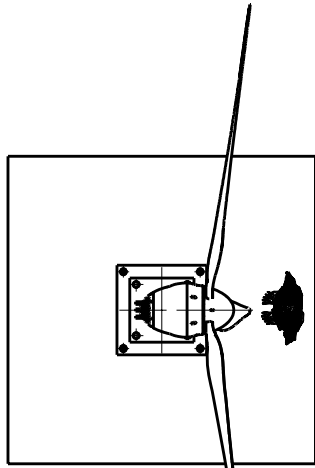


GENERAL TOL: SCALE: 0.067  
LIN +/- 0.3  
ANG +/- 0.5°  
MATERIAL: SEE BOM  
FINISH: NATURAL

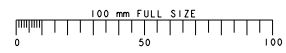
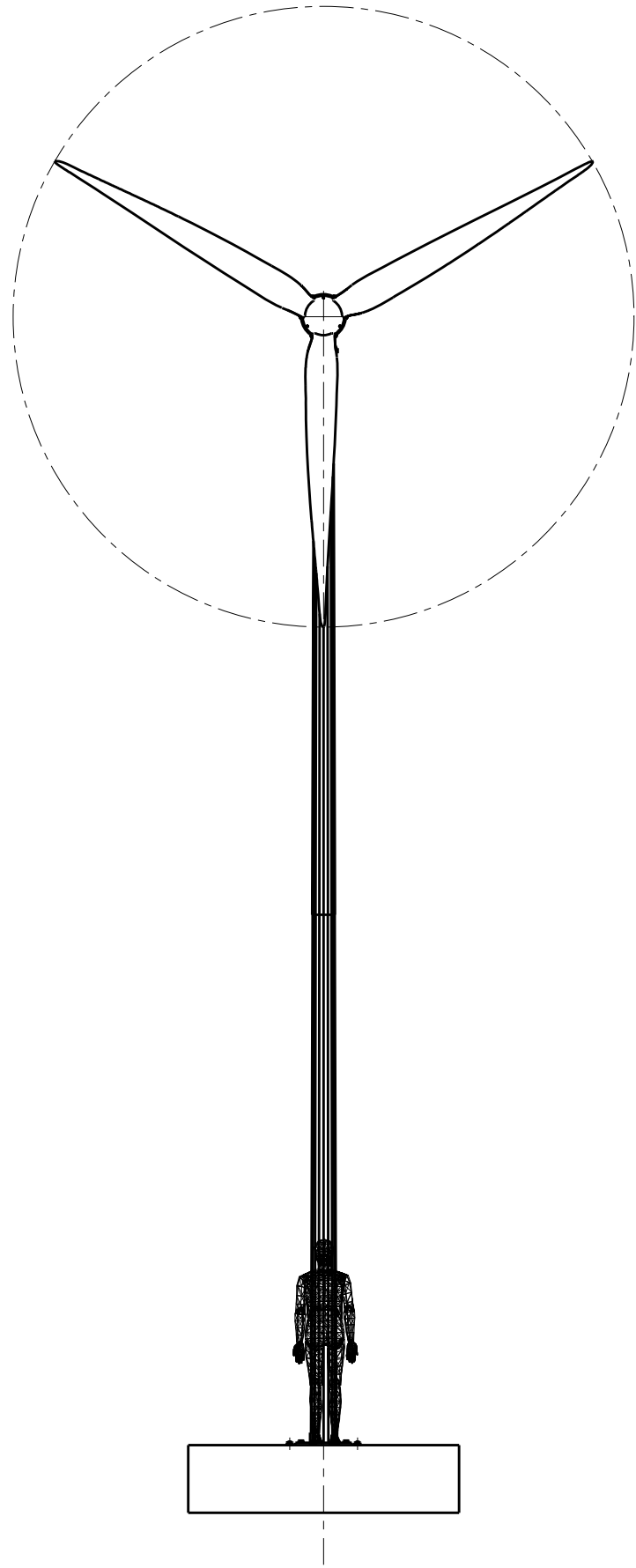
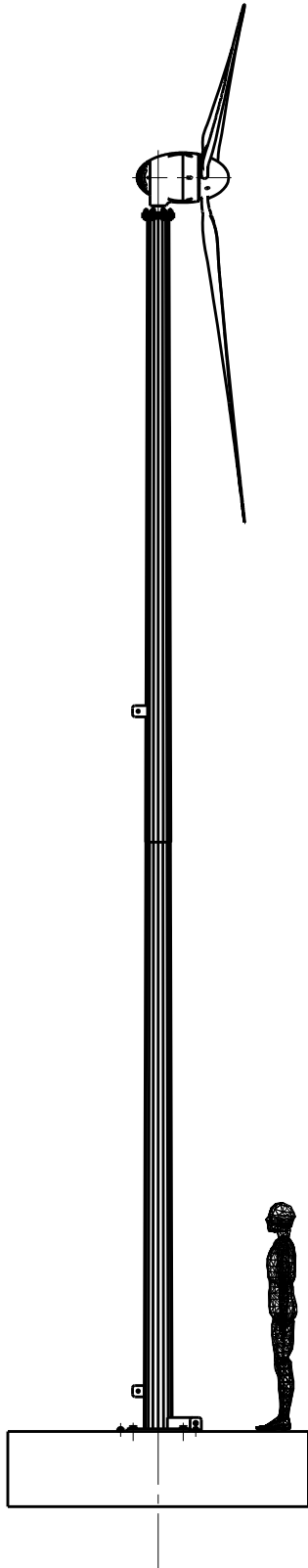
FIRST USED ON:	*
APPROVED FOR MANUFACTURE:	DATE:
CHECKED BY: SDU	DATE: 24.09.08
DRAWN BY: TSC	DATE: 24.09.08
TITLE: AMPAIR-6000	
CUSTOMER PART NO:	
DRAWING NO: ASMB0026	2 OF 4

ALL MEASUREMENTS ARE IN MM

LATEST MODEL REV:	6	A0
REVISION	CHECKED	REVISION
DRAWN BY DATE:	BY DATE:	STATUS:
SEE SHEET 1		



M 1:20



DO NOT SCALE  
THIRD ANGLE PROJECTION  
REMOVE BURRS & SHARP EDGES

COPYRIGHT NOTICE  
THIS DRAWING BELONGS TO BOOST/AMPAIR.  
AND IS ISSUED FOR INFORMATION PURPOSES ONLY.  
ALL RIGHTS RESERVED.  
NO PART OF THIS DRAWING MAY BE REPRODUCED  
OR TRANSMITTED IN ANY FORM OR BY ANY MEANS  
ELECTRONIC OR MECHANICAL, INCLUDING PHOTOCOPYING,  
RECORDING, OR BY ANY INFORMATION STORAGE AND RETRIEVAL  
SYSTEM, WITHOUT PERMISSION IN WRITING FROM THE COPYRIGHT  
OWNER, BOOST/AMPAIR.

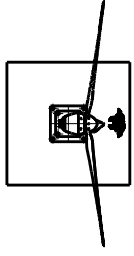


GENERAL TOL: SCALE: 0.067  
LIN +/- 0.3  
ANG +/- 0.5°  
MATERIAL: SEE BOM  
FINISH: NATURAL

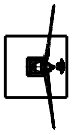
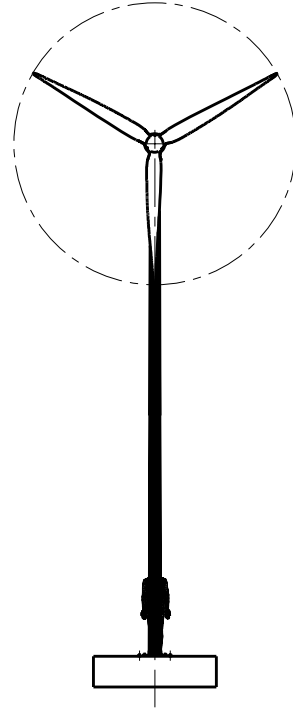
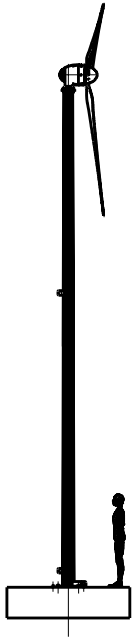
FIRST USED ON:	*
APPROVED FOR MANUFACTURE:	DATE:
CHECKED BY: SDU	DATE: 24.09.08
DRAWN BY: TSC	DATE: 24.09.08
TITLE: AMPAIR-6000	
CUSTOMER PART NO:	
DRAWING NO: ASMB0026	3 OF 4

ALL MEASUREMENTS ARE IN MM

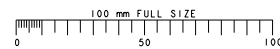
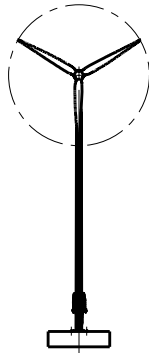
LATEST MODEL REV:	6	A0
REVISION	CHECKED BY DATE:	REVISION STATUS:
DRAWN BY DATE:		
SEE SHEET 1		



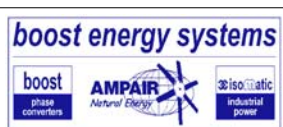
SCALE 0.020  
(M 1:50)



SCALE 0.010  
(M 1:100)



DO NOT SCALE  
THIRD ANGLE PROJECTION  
REMOVE BURRS & SHARP EDGES  
COPYRIGHT NOTICE  
THIS DRAWING BELONGS TO BOOST/AMPAIR AND IS ISSUED FOR LICENSING PURPOSES ONLY.  
ALL RIGHTS RESERVED.  
NO PART OF THIS DRAWING MAY BE REPRODUCED OR TRANSMITTED IN ANY FORM OR BY ANY MEANS, ELECTRONIC OR MECHANICAL, INCLUDING PHOTOCOPYING, RECORDING, OR BY ANY INFORMATION STORAGE AND RETRIEVAL SYSTEM, WITHOUT THE WRITTEN PERMISSION OF THE COPYRIGHT OWNER, BOOST/AMPAIR.



GENERAL TOL: SCALE: 0.067  
LIN +/- 0.3  
ANG +/- 0.5°  
MATERIAL: SEE BOM  
FINISH: NATURAL

FIRST USED ON:	*
APPROVED FOR MANUFACTURE:	DATE:
CHECKED BY: SDU	DATE: 24.09.08
DRAWN BY: TSC	DATE: 24.09.08
TITLE: AMPAIR-6000	
CUSTOMER PART NO:	
DRAWING NO: ASMB0026	4 OF 4