

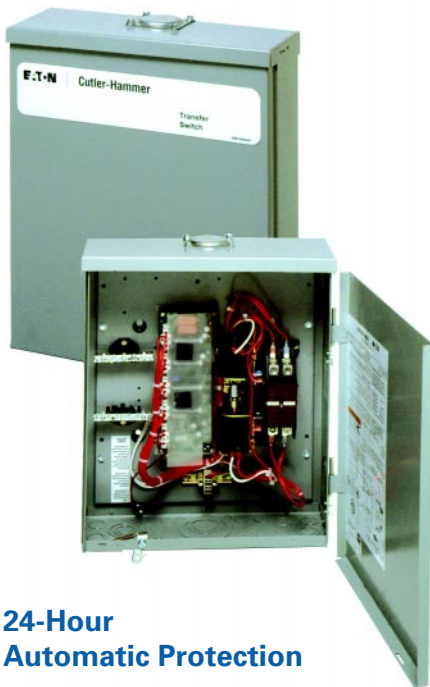
EATON

Cutler-Hammer

Residential Light Commercial Automatic Transfer Switches

Product Aid

Transfer Switch Equipment
Uninterruptible Power Systems
Backup Power Systems



24-Hour Automatic Protection

Power outages due to weather or utility failures have grown increasingly costly and more disruptive to businesses and homeowners. A Backup Power System will keep your computers, security system, heating or refrigeration system, cash registers, home health care equipment, or any system that uses electric power energized and operational. A Cutler-Hammer® Automatic Transfer Switch from Eaton's electrical business and your generator will provide a reliable and safe Backup Power System for your business or home.

Security for Your Business or Home

- Prevent loss of power during a utility power failure.
- Prevent personal injury and generator damage.
- Prevent the loss of computer data from extended outages.
- Prevent property loss due to freezing or loss of refrigeration.

Standard Features

- Proven, highly reliable micro-processor-based logic provides full automatic operation.
- 100 and 200 ampere ratings for use on 120/240 Vac and 208 Vac, 60 Hz single-phase systems only.
- Fixed time delays provide simple operation — without user programming.
- Four separate time delays:
 - Engine Start — 10 seconds.
 - Normal to Emergency — 3 seconds.
 - Emergency to Normal — 7 minutes.
 - Engine Cooldown — 5 minutes.
- Automatic Plant Exerciser with selectable day, 7-day interval, 15 minutes run time (no load).
- Indoor/outdoor NEMA® 1 and 3R enclosures.
- Delivered from the factory completely assembled, prewired and tested.

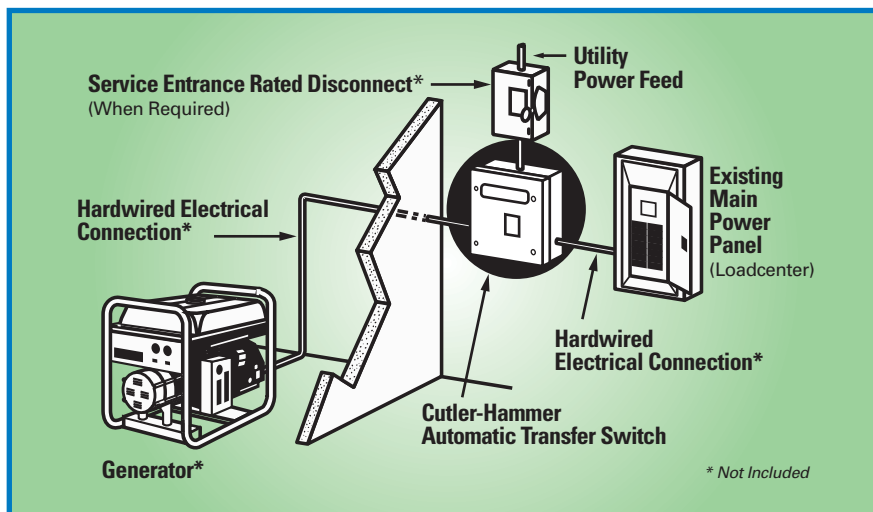
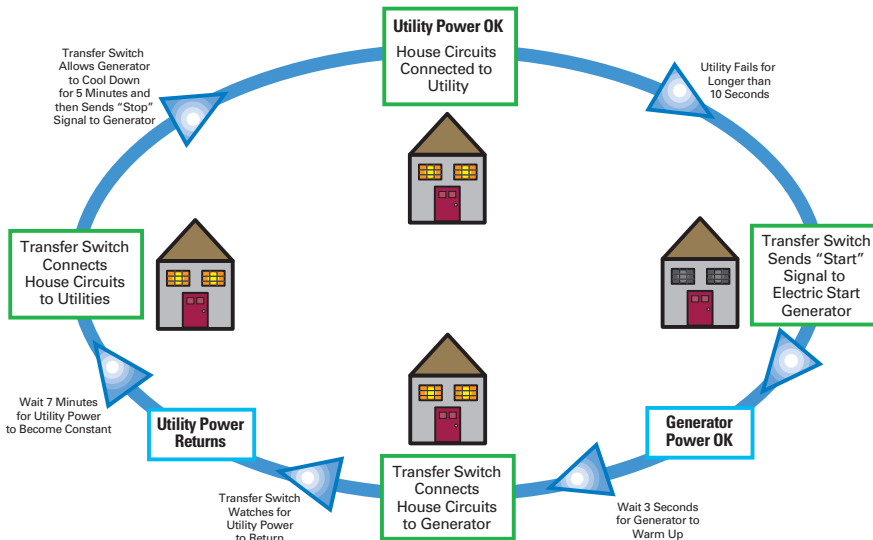
- Only four connections for the installer to complete: utility power, generator power, load circuits and engine start.
- Hinged door with lockable cover.
- UL® 1008 listed.

Service Entrance Benefits

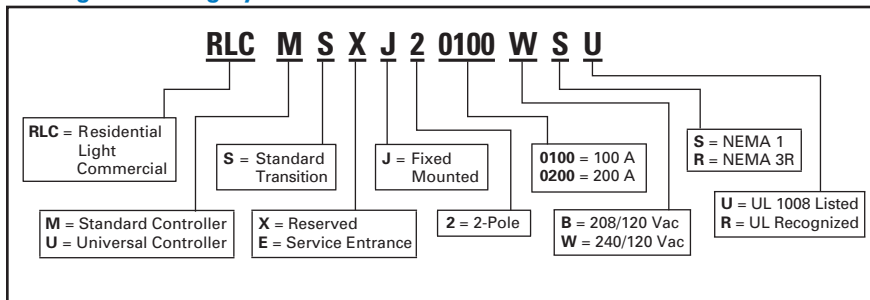
- The RLC is available rated for service entrance. This means that integral overcurrent protection is installed in the switch so the RLC can be installed at the point of service entrance without the need for upstream disconnect device.
- Combined service disconnect, overcurrent protection, and ATS reduces overall equipment and installation costs.



Sequence of Operation — Cutler-Hammer RLCM Automatic Transfer Switch



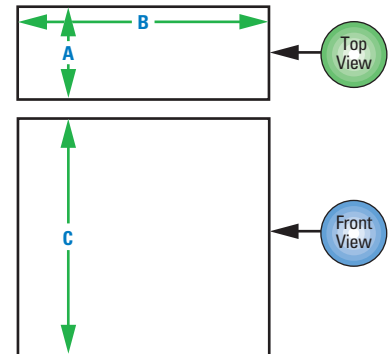
Catalog Numbering System



Eaton Electrical Inc.
1000 Cherrington Parkway
Moon Township, PA 15108
United States
tel: 1-800-525-2000
www.EatonElectrical.com

Dimensions in Inches (mm)

Switch Rating	A	B	C	Weight lbs. (kg)
100 A Standard	5.35 (135.9)	14.46 (367.3)	16.76 (425.7)	26 (12)
100 A Service Ent.	5.35 (135.9)	14.46 (367.3)	29.20 (741.7)	35 (16)
200 A Standard	5.35 (135.9)	14.46 (367.3)	29.14 (740.2)	38 (17)
200 A Service Ent.	5.35 (135.9)	14.46 (367.3)	34.20 (868.7)	45 (20)



Option Kits (Ordered Separately)

Option Kit	Catalog Number
TVSS Standard Switch Service Entrance Switch Telephone Option Cable Option	RLCTVSS RLCSETVSS RLCTVSSSTEL RLCTVSSCBL
Load Shed	RLCLSHED

Withstand and Close-on Ratings

Switch Rating	When Used with Circuit Breakers
100 Amperes	22,000
200 Amperes	25,000

Power Cable Connections

Switch Rating	Wire Size Range (AWG)
100 Amperes	(1) #14 to 2/0
200 Amperes	(1) #4 to 300

Cutler-Hammer is a federally registered trademark of Eaton Corporation. NEMA is the registered trademark and service mark of the National Electrical Manufacturers Association. UL is a federally registered trademark of Underwriters Laboratories Inc.



©2004 Eaton Corporation
All Rights Reserved
Printed in USA
Pub. No. PA01602001E / Z2933
November 2004