

REV	NO.	REVISION	DATE	APPROVED	DATE
1	A	PRODUCTION RELEASE	11-20-96	RVE	11-20-96
2	B	MODEL DGBB, BC, CA, CB WAS DCCC	06-17-97	CC	06-17-97
3	C	REV PER ER	11-07-97	CC	11-07-97
4	D	CHANGED FEATURE OPTION FOR DGCA 50 Hz	07-22-98	CC	07-22-98
5	E	CHANGES PER ER	12-08-98	CC	12-08-98
6	F	ADD MODELS DGGD, DGGH, & DGHF TO TAB 2 - A/R/M/J	05-08-03	ELN	05-08-03
7	G	ADD/COMBINE/DELETE VARIOUS MODELS IN TAB 2A	08-27-03	GILLET	08-27-03

**D**

NOTES:

- TANKS ARE UL142 LISTED. SECONDARY CONTAINMENT GENERATOR BASE TANK. REFER TO TANK LABELS AND LOCAL CODE TO DETERMINE VENTING REQUIREMENTS FOR BOTH COMPARTMENTS.
- SUBBASE FUEL TANK MOUNTING. EXCESSIVE TWISTING OF THE FUEL TANK, WHEN FASTENING IT TO A FOUNDATION, MAY RESULT IN STRUCTURAL FAILURE OF THE TANK. TO INSURE THE INSTALLATION DOES NOT EXCESSIVELY TWIST THE FUEL TANK, THE FOLLOWING PROCEDURE MUST BE OBSERVED:
  - REFER TO ONAN APPLICATION MANUAL T030 FOR GENERAL SET MOUNTING GUIDELINES.
  - AFTER PLACING SET ON FOUNDATION, VERIFY ALL FOUR MOUNTING PADS CONTACT FOUNDATION.
  - THERE ARE 8 SHIMS (.0747 INCH THK) ATTACHED TO EACH FUEL TANK. THESE ARE INTENDED TO FILL ANY GAP BETWEEN THE MOUNTING PADS AND FOUNDATION. IF MORE SHIMS ARE REQUIRED, OBTAIN ADDITIONAL P/N 159-1378 FUEL TANK SHIMS.
  - INSERT THE MAXIMUM HEIGHT STACK OF SHIMS THAT WILL SLIDE INTO THE GAP.
  - TIGHTEN TANK HOLD DOWN MOUNTING FASTENERS.
- INDICATES PIPE SIZE OF INTERFACE PORT ON FUEL TANK FOR FEATURE OR OPTION INDICATED.
- DIMENSIONS IN [ ] ARE IN INCHES.
- THIS AREA INDICATES ELECTRICAL STUB-UP SPACE WITHIN THE GENERATOR SET SKIDBASE AS IDENTIFIED ON THE GENERATOR SET OUTLINE DRAWINGS. THE PORTION OF THIS AREA SHOWN OVERLAPPING THE FUEL TANK BODY IS ACCESSIBLE ONLY ABOVE THE TOP OF THE FUEL TANK.

**B**

FEATURE OPTION USE OF TANK	
MODEL	TANK
0159-1463	0159-1464
DGBB/BC-60 Hz	C167
DGBB/BC-50 Hz	C168
DGCA, CB, CG-60/50 Hz	C167
DGGD-60 Hz	C167
DGGD-50 Hz	C168
DGHD-60 Hz	C167
DGHD-50 Hz	C168
DGHE-60/50 Hz	C167

FUEL TANK PART NO.	DIM A	VENT SIZE	TANK VOLUME-LITER (GAL)		DRY WEIGHT (kg (lb))
			NOMINAL	EFFECTIVE	
0159-1463	285.72 [11.25]	2" NPT	284 (75)	265 (70)	227 (500)
0159-1464	487.02 [19.17]	3" NPT	549 (145)	530 (140)	295 (650)

**DUAL WALL SUBBASE FUEL TANK**

ITEM	PART NO.	DESCRIPTION OR MATERIAL	REV
1	0500.3118	COMP 0500.3118	1
2	0500.3118	PRODUCTION	1
3	0500.3118	PRODUCTION	1
4	0500.3118	PRODUCTION	1
5	0500.3118	PRODUCTION	1
6	0500.3118	PRODUCTION	1
7	0500.3118	PRODUCTION	1
8	0500.3118	PRODUCTION	1
9	0500.3118	PRODUCTION	1
10	0500.3118	PRODUCTION	1
11	0500.3118	PRODUCTION	1
12	0500.3118	PRODUCTION	1
13	0500.3118	PRODUCTION	1
14	0500.3118	PRODUCTION	1
15	0500.3118	PRODUCTION	1
16	0500.3118	PRODUCTION	1
17	0500.3118	PRODUCTION	1
18	0500.3118	PRODUCTION	1
19	0500.3118	PRODUCTION	1
20	0500.3118	PRODUCTION	1
21	0500.3118	PRODUCTION	1
22	0500.3118	PRODUCTION	1
23	0500.3118	PRODUCTION	1
24	0500.3118	PRODUCTION	1
25	0500.3118	PRODUCTION	1
26	0500.3118	PRODUCTION	1
27	0500.3118	PRODUCTION	1
28	0500.3118	PRODUCTION	1
29	0500.3118	PRODUCTION	1
30	0500.3118	PRODUCTION	1
31	0500.3118	PRODUCTION	1
32	0500.3118	PRODUCTION	1
33	0500.3118	PRODUCTION	1
34	0500.3118	PRODUCTION	1
35	0500.3118	PRODUCTION	1
36	0500.3118	PRODUCTION	1
37	0500.3118	PRODUCTION	1
38	0500.3118	PRODUCTION	1
39	0500.3118	PRODUCTION	1
40	0500.3118	PRODUCTION	1
41	0500.3118	PRODUCTION	1
42	0500.3118	PRODUCTION	1
43	0500.3118	PRODUCTION	1
44	0500.3118	PRODUCTION	1
45	0500.3118	PRODUCTION	1
46	0500.3118	PRODUCTION	1
47	0500.3118	PRODUCTION	1
48	0500.3118	PRODUCTION	1
49	0500.3118	PRODUCTION	1
50	0500.3118	PRODUCTION	1
51	0500.3118	PRODUCTION	1
52	0500.3118	PRODUCTION	1
53	0500.3118	PRODUCTION	1
54	0500.3118	PRODUCTION	1
55	0500.3118	PRODUCTION	1
56	0500.3118	PRODUCTION	1
57	0500.3118	PRODUCTION	1
58	0500.3118	PRODUCTION	1
59	0500.3118	PRODUCTION	1
60	0500.3118	PRODUCTION	1
61	0500.3118	PRODUCTION	1
62	0500.3118	PRODUCTION	1
63	0500.3118	PRODUCTION	1
64	0500.3118	PRODUCTION	1
65	0500.3118	PRODUCTION	1
66	0500.3118	PRODUCTION	1
67	0500.3118	PRODUCTION	1
68	0500.3118	PRODUCTION	1
69	0500.3118	PRODUCTION	1
70	0500.3118	PRODUCTION	1
71	0500.3118	PRODUCTION	1
72	0500.3118	PRODUCTION	1
73	0500.3118	PRODUCTION	1
74	0500.3118	PRODUCTION	1
75	0500.3118	PRODUCTION	1
76	0500.3118	PRODUCTION	1
77	0500.3118	PRODUCTION	1
78	0500.3118	PRODUCTION	1
79	0500.3118	PRODUCTION	1
80	0500.3118	PRODUCTION	1
81	0500.3118	PRODUCTION	1
82	0500.3118	PRODUCTION	1
83	0500.3118	PRODUCTION	1
84	0500.3118	PRODUCTION	1
85	0500.3118	PRODUCTION	1
86	0500.3118	PRODUCTION	1
87	0500.3118	PRODUCTION	1
88	0500.3118	PRODUCTION	1
89	0500.3118	PRODUCTION	1
90	0500.3118	PRODUCTION	1
91	0500.3118	PRODUCTION	1
92	0500.3118	PRODUCTION	1
93	0500.3118	PRODUCTION	1
94	0500.3118	PRODUCTION	1
95	0500.3118	PRODUCTION	1
96	0500.3118	PRODUCTION	1
97	0500.3118	PRODUCTION	1
98	0500.3118	PRODUCTION	1
99	0500.3118	PRODUCTION	1
100	0500.3118	PRODUCTION	1

CLASSIFICATION OF CHARACTERISTICS  
 CRITICAL ●  
 MAJOR ○  
 MINOR (NONE)  
 LINE BELOW SYMBOL ● APPLIES TO UPPER LIMIT  
 LINE ABOVE SYMBOL ○ APPLIES TO LOWER LIMIT  
 NO LINE WITH SYMBOL APPLIES TO BOTH LIMITS  
 ▼ KEY INSTRUCTION (NO TOLERANCE)

APPROVED: R. ENGELMANN  
 DATE: 11-20-96  
 APPLIES TO LOWER LIMIT  
 APPLIES TO BOTH LIMITS  
 KEY INSTRUCTION (NO TOLERANCE)

DO NOT SCALE PRINT  
 DRAWN TO 5/32  
 SCALE OF 1:1  
 ANG TOL ± 1.0

FOR INTERPRETATION OF THIS DRAWING, REFER TO THE DRAWING OF THE SKIDBASE ASSEMBLY AND THE DRAWING OF THE GENERATOR SET SKIDBASE ASSEMBLY.  
 THIS DRAWING IS THE PROPERTY OF ONAN. IT IS TO BE USED ONLY FOR THE PURPOSES SPECIFIED HEREIN. IT IS NOT TO BE REPRODUCED OR TRANSMITTED IN ANY FORM OR BY ANY MEANS, ELECTRONIC OR MECHANICAL, INCLUDING PHOTOCOPYING, RECORDING, OR BY ANY INFORMATION STORAGE AND RETRIEVAL SYSTEM, WITHOUT THE WRITTEN PERMISSION OF ONAN.

FOR INTERPRETATION OF THIS DRAWING, REFER TO THE DRAWING OF THE SKIDBASE ASSEMBLY AND THE DRAWING OF THE GENERATOR SET SKIDBASE ASSEMBLY.  
 THIS DRAWING IS THE PROPERTY OF ONAN. IT IS TO BE USED ONLY FOR THE PURPOSES SPECIFIED HEREIN. IT IS NOT TO BE REPRODUCED OR TRANSMITTED IN ANY FORM OR BY ANY MEANS, ELECTRONIC OR MECHANICAL, INCLUDING PHOTOCOPYING, RECORDING, OR BY ANY INFORMATION STORAGE AND RETRIEVAL SYSTEM, WITHOUT THE WRITTEN PERMISSION OF ONAN.

FOR INTERPRETATION OF THIS DRAWING, REFER TO THE DRAWING OF THE SKIDBASE ASSEMBLY AND THE DRAWING OF THE GENERATOR SET SKIDBASE ASSEMBLY.  
 THIS DRAWING IS THE PROPERTY OF ONAN. IT IS TO BE USED ONLY FOR THE PURPOSES SPECIFIED HEREIN. IT IS NOT TO BE REPRODUCED OR TRANSMITTED IN ANY FORM OR BY ANY MEANS, ELECTRONIC OR MECHANICAL, INCLUDING PHOTOCOPYING, RECORDING, OR BY ANY INFORMATION STORAGE AND RETRIEVAL SYSTEM, WITHOUT THE WRITTEN PERMISSION OF ONAN.

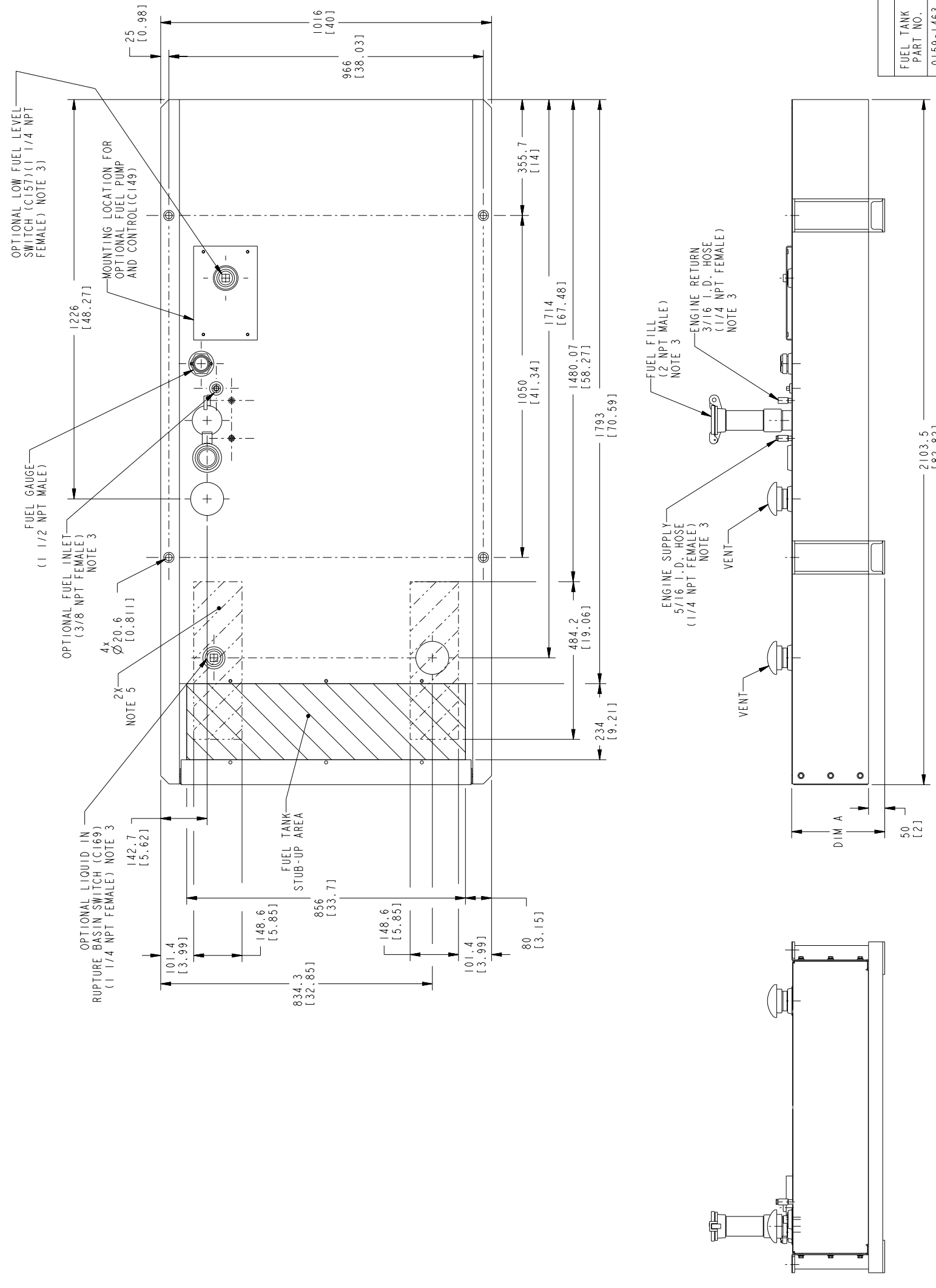
FOR INTERPRETATION OF THIS DRAWING, REFER TO THE DRAWING OF THE SKIDBASE ASSEMBLY AND THE DRAWING OF THE GENERATOR SET SKIDBASE ASSEMBLY.  
 THIS DRAWING IS THE PROPERTY OF ONAN. IT IS TO BE USED ONLY FOR THE PURPOSES SPECIFIED HEREIN. IT IS NOT TO BE REPRODUCED OR TRANSMITTED IN ANY FORM OR BY ANY MEANS, ELECTRONIC OR MECHANICAL, INCLUDING PHOTOCOPYING, RECORDING, OR BY ANY INFORMATION STORAGE AND RETRIEVAL SYSTEM, WITHOUT THE WRITTEN PERMISSION OF ONAN.

FOR INTERPRETATION OF THIS DRAWING, REFER TO THE DRAWING OF THE SKIDBASE ASSEMBLY AND THE DRAWING OF THE GENERATOR SET SKIDBASE ASSEMBLY.  
 THIS DRAWING IS THE PROPERTY OF ONAN. IT IS TO BE USED ONLY FOR THE PURPOSES SPECIFIED HEREIN. IT IS NOT TO BE REPRODUCED OR TRANSMITTED IN ANY FORM OR BY ANY MEANS, ELECTRONIC OR MECHANICAL, INCLUDING PHOTOCOPYING, RECORDING, OR BY ANY INFORMATION STORAGE AND RETRIEVAL SYSTEM, WITHOUT THE WRITTEN PERMISSION OF ONAN.

FOR INTERPRETATION OF THIS DRAWING, REFER TO THE DRAWING OF THE SKIDBASE ASSEMBLY AND THE DRAWING OF THE GENERATOR SET SKIDBASE ASSEMBLY.  
 THIS DRAWING IS THE PROPERTY OF ONAN. IT IS TO BE USED ONLY FOR THE PURPOSES SPECIFIED HEREIN. IT IS NOT TO BE REPRODUCED OR TRANSMITTED IN ANY FORM OR BY ANY MEANS, ELECTRONIC OR MECHANICAL, INCLUDING PHOTOCOPYING, RECORDING, OR BY ANY INFORMATION STORAGE AND RETRIEVAL SYSTEM, WITHOUT THE WRITTEN PERMISSION OF ONAN.

FOR INTERPRETATION OF THIS DRAWING, REFER TO THE DRAWING OF THE SKIDBASE ASSEMBLY AND THE DRAWING OF THE GENERATOR SET SKIDBASE ASSEMBLY.  
 THIS DRAWING IS THE PROPERTY OF ONAN. IT IS TO BE USED ONLY FOR THE PURPOSES SPECIFIED HEREIN. IT IS NOT TO BE REPRODUCED OR TRANSMITTED IN ANY FORM OR BY ANY MEANS, ELECTRONIC OR MECHANICAL, INCLUDING PHOTOCOPYING, RECORDING, OR BY ANY INFORMATION STORAGE AND RETRIEVAL SYSTEM, WITHOUT THE WRITTEN PERMISSION OF ONAN.

FOR INTERPRETATION OF THIS DRAWING, REFER TO THE DRAWING OF THE SKIDBASE ASSEMBLY AND THE DRAWING OF THE GENERATOR SET SKIDBASE ASSEMBLY.  
 THIS DRAWING IS THE PROPERTY OF ONAN. IT IS TO BE USED ONLY FOR THE PURPOSES SPECIFIED HEREIN. IT IS NOT TO BE REPRODUCED OR TRANSMITTED IN ANY FORM OR BY ANY MEANS, ELECTRONIC OR MECHANICAL, INCLUDING PHOTOCOPYING, RECORDING, OR BY ANY INFORMATION STORAGE AND RETRIEVAL SYSTEM, WITHOUT THE WRITTEN PERMISSION OF ONAN.



**D**

**C**

**B**

**A**

0500\_3175 **D**

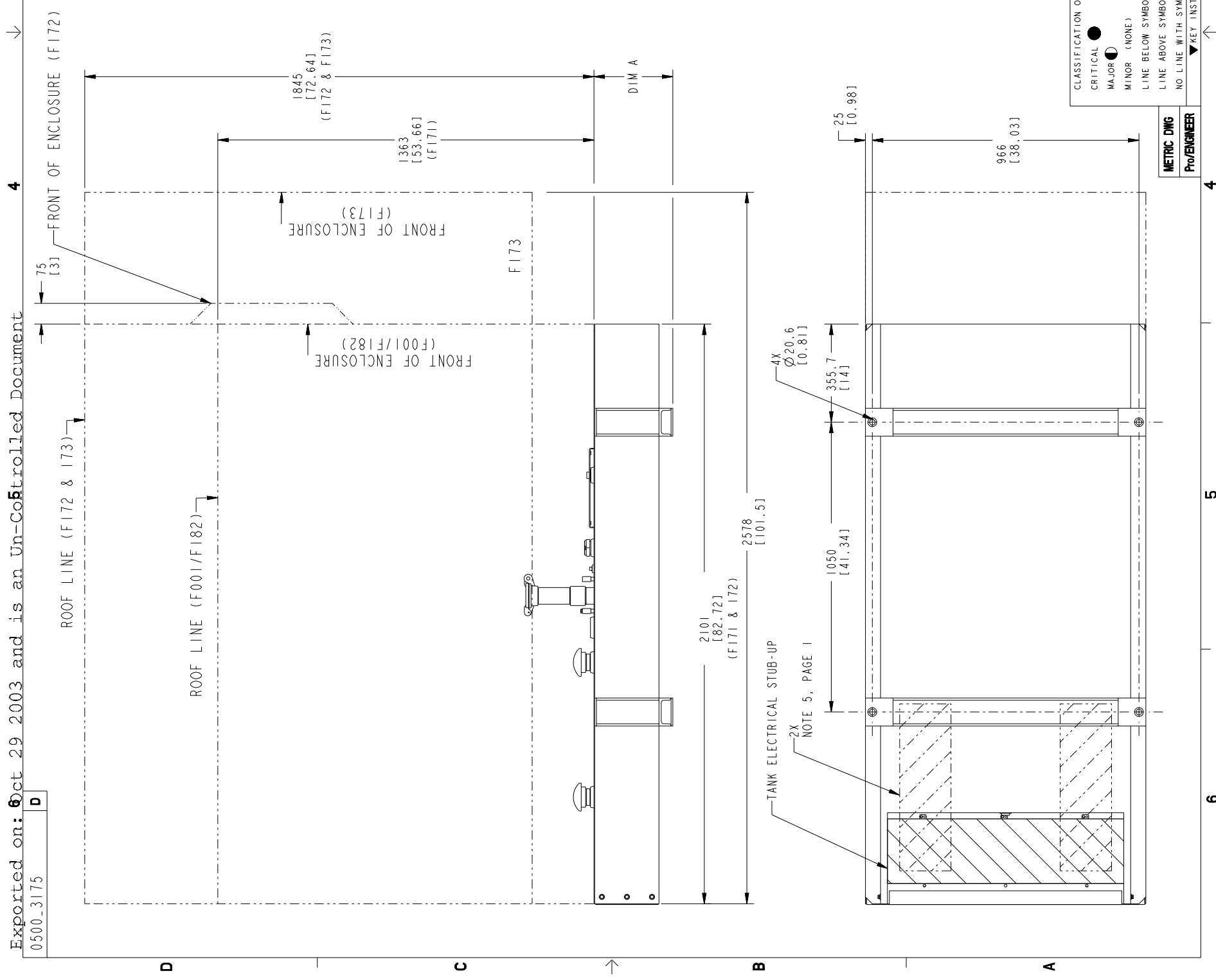
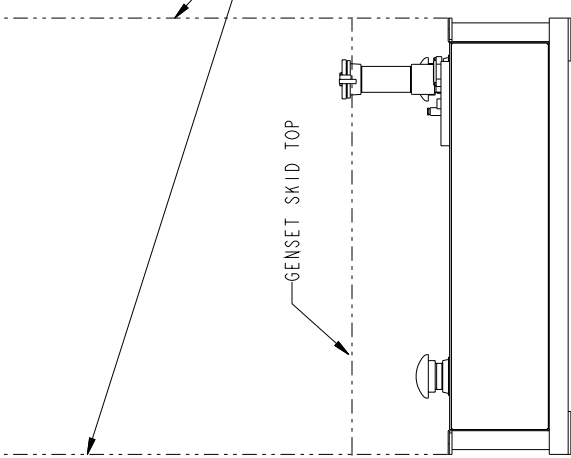
LINE OR CHG	APPROVED	DATE
- CSE RME	RME	11-20-96
- CSE DG GILLET	GILLET	11-07-97
- GAG DDG GILLET	GILLET	12-08-98
- RMM BG ELN	ELN	05-08-03

REV	NO.	REVISION
A	1	PRODUCTION RELEASE
B	2	REV PER ER
C	1	CHANGES PER ER
D	1	CHANGES PER ER
E	1	CHANGES PER ER
F	1	CHANGES PER ER
G	1	CHANGES PER ER

**D** **C** **B** **A**

FOR ENCLOSURE DETAILS SEE ENCLOSURE OUTLINE DRAWINGS.



**DO NOT SCALE PRINT**

APPROVED: R. ENGELMANN  
DATE: 11-20-96

CLASSIFICATION OF CHARACTERISTICS:  
 CRITICAL ●  
 MAJOR ●  
 MINOR (NONE) ○  
 LINE BELOW SYMBOL ● APPLIES TO UPPER LIMIT  
 LINE ABOVE SYMBOL ○ APPLIES TO LOWER LIMIT  
 NO LINE WITH SYMBOL APPLIES TO BOTH LIMITS  
 ▼ KEY INSTRUCTION (NO TOLERANCE)

ITEM	PART NO.	QTY	DESCRIPTION OR MATERIAL	DATE
1	0500.3118	1	ENCLOSURE	11-20-96
2	0500.3118	1	GENSET SKID TOP	11-20-96
3	0500.3118	1	ENCLOSURE SIDES	11-20-96

REV	NO.	REVISION	DATE
A	1	PRODUCTION RELEASE	11-20-96
B	2	REV PER ER	11-20-96
C	1	CHANGES PER ER	11-20-96
D	1	CHANGES PER ER	11-20-96

**METRIC DWG**  
Pro/ENGINEER

Minnesota, Minnesota 55432  
 TITLE: OUTLINE-FUEL-TANK  
 SHEET: 2 of 2