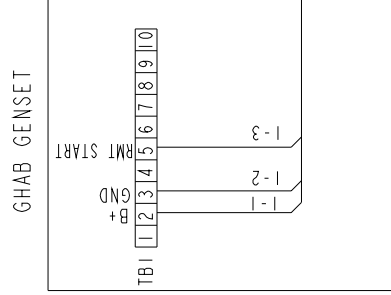
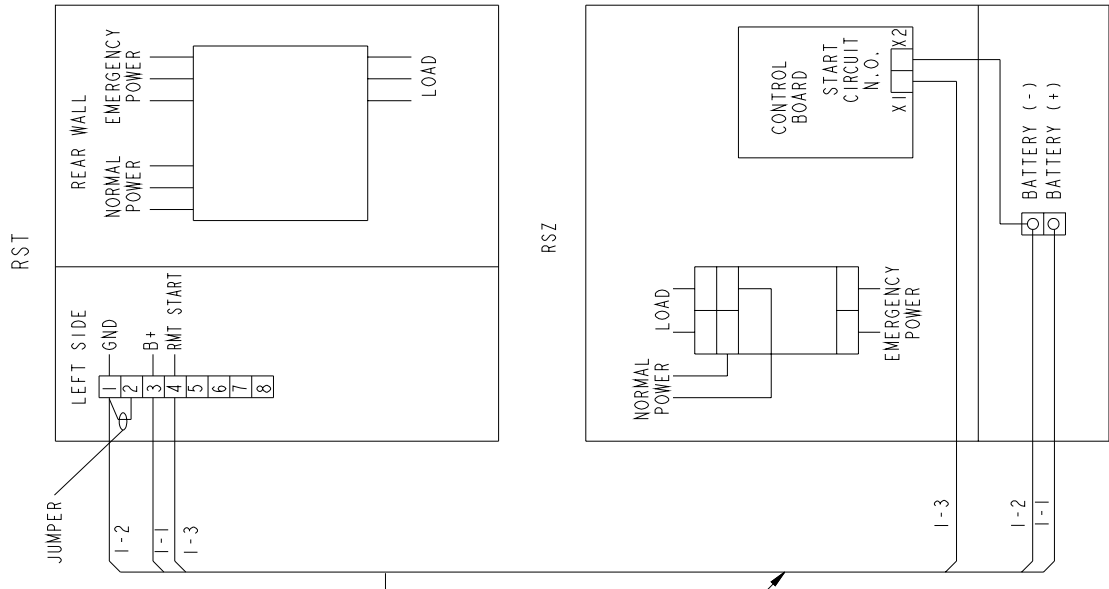


REL NO	LR	NO	REVISION	DATE	APPROVED	DATE
FRD10379	A	1	PRODUCTION RELEASE	10-02-01	JM MILLER	10-02-01
FRD11143	B	1	UPDATED PER ECR	11-19-01	JM MILLER	11-19-01
FRD11572	C	1	REVISED SHEET 5	01-04-02	JM MILLER	01-04-02



NOTE:
1. SIZE WIRES AS FOLLOWS:

WIRE SIZE (AWG)	DISTANCE IN FEET (ONE WAY)
16	125
14	200
12	300
10	500

2. NORMAL/EMERGENCY LEADS ARE SIZED FOR LOAD AND LENGTH.

SEE NOTE 1

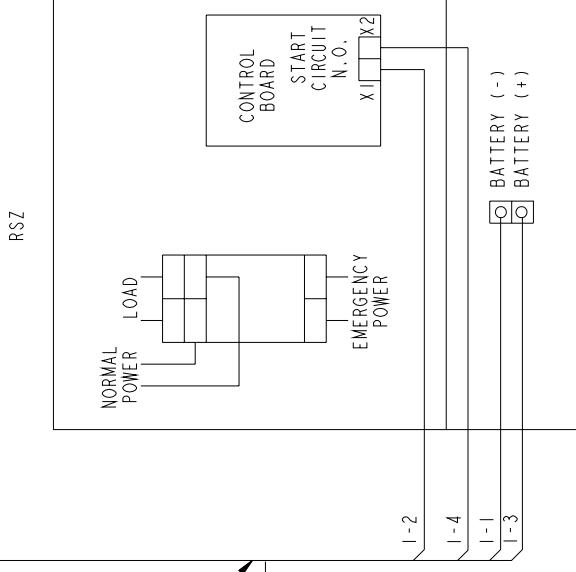
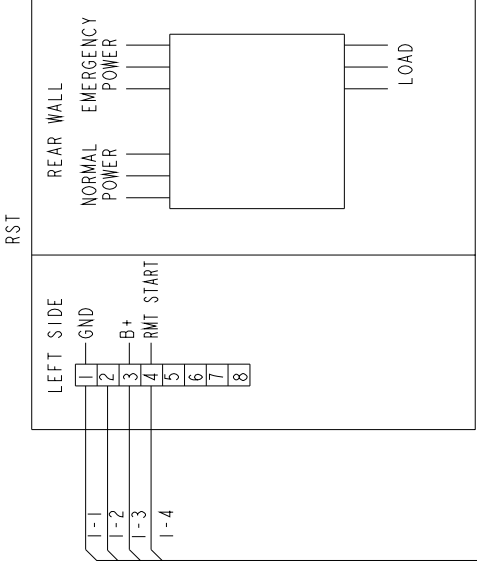
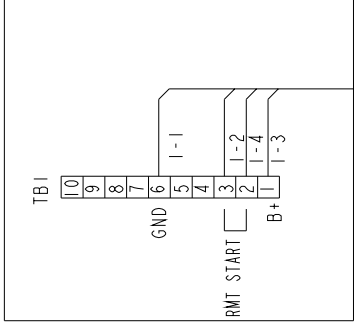
ITEM	PART NO	QTY	DESCRIPTION OR MATERIAL	DATE
	DDAHLHEIMER			10-02-01
	J.MILLER			10-02-01
				10-02-01

DO NOT SCALE PRINT	DATE	10-02-01
SCALE	1:1	
ANG	100±1.0	
DRAWN TO	1/1	
SCALE OF		

COMPANY	CUMMINS POWER GENERATION
ADDRESS	4001 75th AVE NE
	MINNETONKA, MINNESOTA 55345
TITLE	WD-INTERCONNECTION
SITE CODE	PGA
PROJECT NO	0630-2252
DESIGNER	HOME-STINDY
CHECKED	
DATE	
SHEET	1
TOTAL	5

ONAN/CUMMINS GENERATOR SET
 SERIES GGDB ALL SPEC S, GN SPEC B,
 DN SPEC B WITH TWO WIRE CONTROL

ENGINE CONTROL PANEL



SEE NOTE 1

REL NO	LIB	NO	REVISION	DATE	APPROVED	DATE
FRD11143	B	1	RELEASE SHEET 2	11-19-01	DD J.M. MILLER	11-19-01
FRD11572	C	-

NOTE:
 1. SIZE WIRES AS FOLLOWS:

WIRE SIZE (AWG)	DISTANCE IN FEET (ONE WAY)
16	125
14	200
12	300
10	500

2. NORMAL/EMERGENCY LEADS ARE SIZED FOR
 LOAD AND LENGTH.

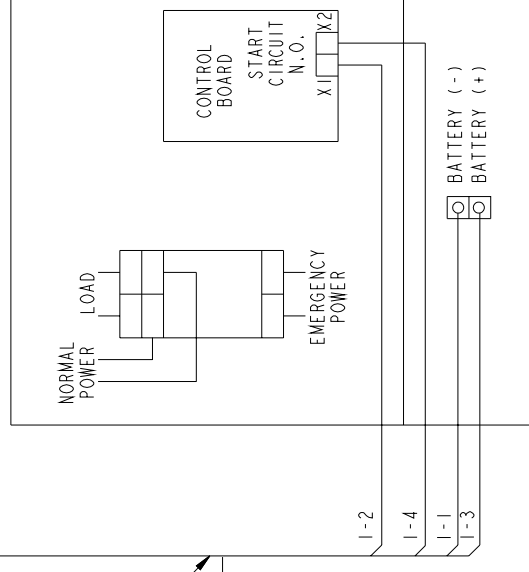
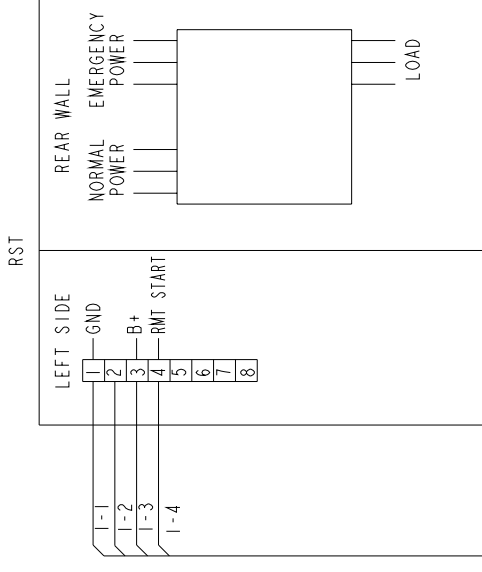
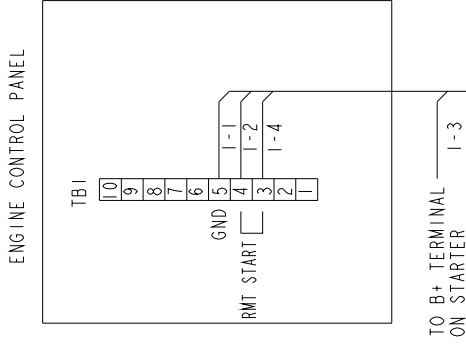
ITEM	PART NO	QTY	DESCRIPTION OR MATERIAL	DATE
	DDAHHEIMER			10-02-01
	J. MILLER			10-02-01

CUMMINS POWER GENERATION	
4000 7500 AVE NE	
MINNEAPOLIS, MINNESOTA 55412	
TITLE	WD - INTERCONNECTION
SHEET NO	2 of 5
DATE	11-19-01
SCALE	AS SHOWN
APPROVED	J. MILLER
CHECKED	J. MILLER
DATE	10-02-01
DESCRIPTION	HOME STANDBY
PROJECT	0630-2252

1 2 3 4 5 6 A B C D

0630-2252 D Pro/ENGINEER METRIC DWG

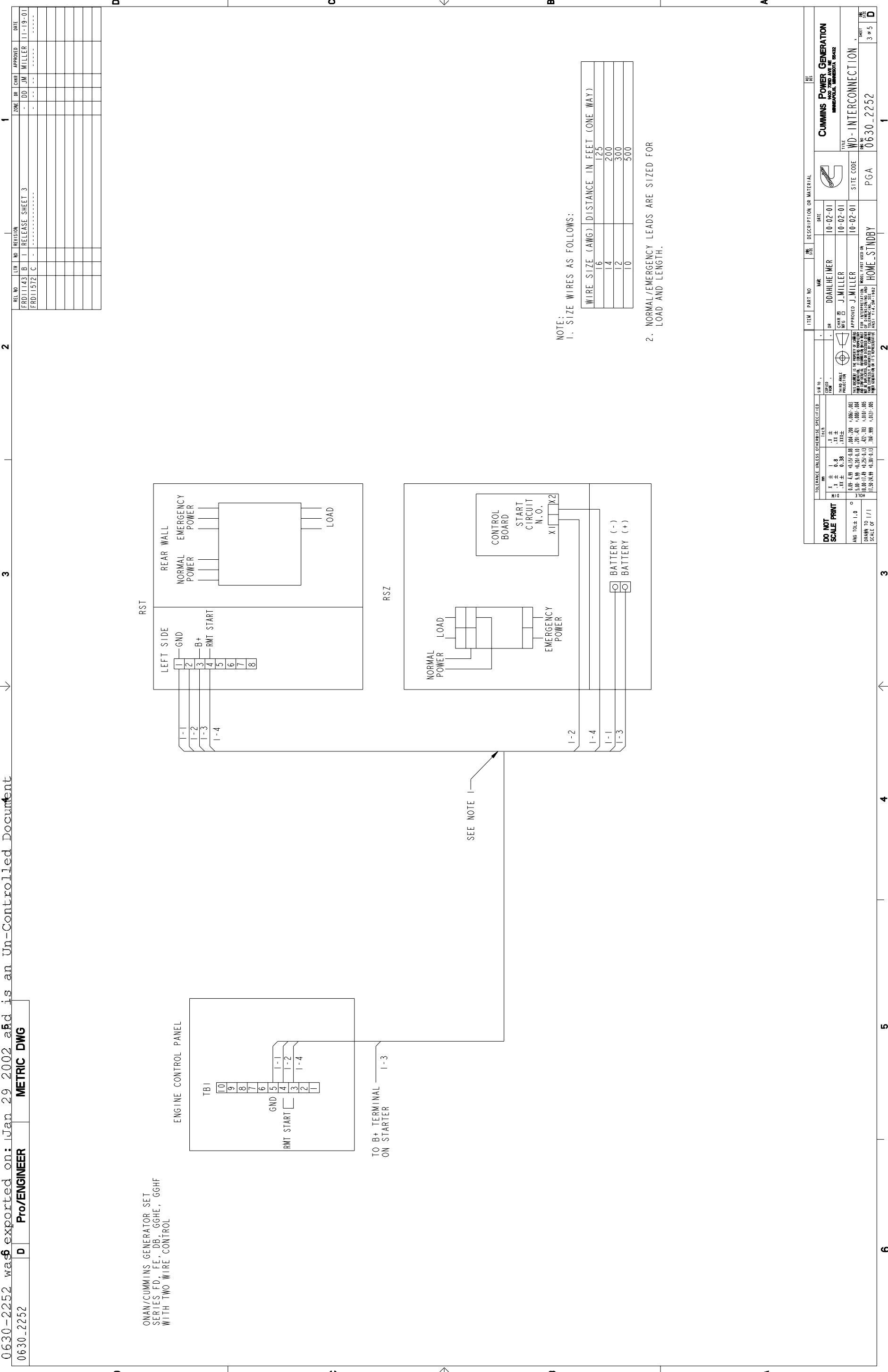
ONAN/CUMMINS GENERATOR SET
 SERIES FD, FE, DB, GGHE, GGHF
 WITH TWO WIRE CONTROL



- NOTE:
 1. SIZE WIRES AS FOLLOWS:
- | WIRE SIZE (AWG) | DISTANCE IN FEET (ONE WAY) |
|-----------------|----------------------------|
| 16 | 125 |
| 14 | 200 |
| 12 | 300 |
| 10 | 500 |
2. NORMAL/EMERGENCY LEADS ARE SIZED FOR LOAD AND LENGTH.

REV. NO.	DATE	BY	CHKD.	APP'D.	DATE
FRD11143 B	1	DD	JM	MILLER	11-19-01
FRD111572 C	-				

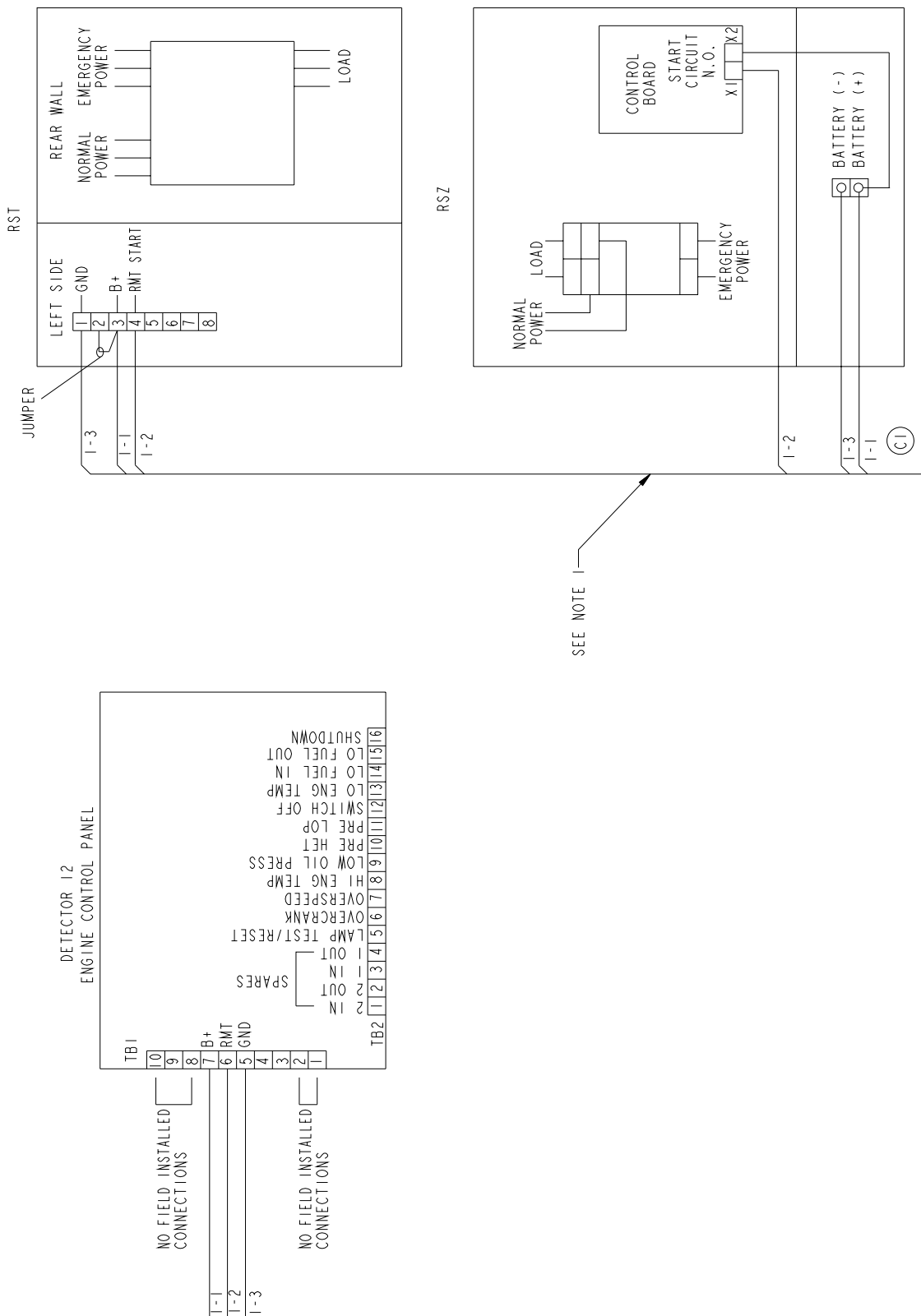
DO NOT SCALE PRINT ANG TOL± 1.0 DRAWN TO 1/1 SCALE OF			TOLERANCE UNLESS OTHERWISE SPECIFIED IN TO .001 DIM. ± .1 ± .08 DIA ± .01 ± .005 HOLE ± .01 ± .005 CHAMF ± .05 ± .025 HOLE ± .01 ± .005 HOLE ± .01 ± .005 HOLE ± .01 ± .005 HOLE ± .01 ± .005		THIS DRAWING IS THE PROPERTY OF CUMMINS INCORPORATED. IT IS TO BE USED ONLY FOR THE PROJECT AND QUANTITY SPECIFIED HEREON. IT IS NOT TO BE REPRODUCED OR TRANSMITTED IN ANY FORM OR BY ANY MEANS, ELECTRONIC OR MECHANICAL, INCLUDING PHOTOCOPYING, RECORDING, OR BY ANY INFORMATION STORAGE AND RETRIEVAL SYSTEM, WITHOUT THE EXPRESS WRITTEN PERMISSION OF CUMMINS INCORPORATED.	
ITEM DD DD DD DD	PART NO. DD DD DD DD	DESCRIPTION OR MATERIAL DD DD DD DD	DATE 10-02-01 10-02-01 10-02-01 10-02-01	TITLE WD-INTERCONNECTION	SHEET NO. 3 of 5	
CUMMINS POWER GENERATION 1000 7500 AVE NE MINNEAPOLIS, MINNESOTA 55412			SITE CODE PGA			
APPROVED J. MILLER FOR INTERPRETATION AND SIGNATURE OF THE DRAWING ENGINEER APPROVED J. MILLER FOR INTERPRETATION AND SIGNATURE OF THE DRAWING ENGINEER APPROVED J. MILLER FOR INTERPRETATION AND SIGNATURE OF THE DRAWING ENGINEER APPROVED J. MILLER FOR INTERPRETATION AND SIGNATURE OF THE DRAWING ENGINEER			HOME-STNDY 0630-2252			



D Pro/ENGINEER METRIC DWG

REV. NO.	LIB	NO.	REVISION	DATE	APPROVED	DATE
FRD11143	B	1	RELEASE SHEET 5	11-19-01	JM MILLER	
FRD11572	C	2	REVERSED 1-1 & 1-3	01-04-02	JM MILLER	

ZONE	OR	CASE	DATE
-	DD	JM	11-19-01
4A	DD	JM	01-04-02



NOTE:
1. WIRE SIZES AS FOLLOWS:

WIRE SIZE (AWG)	DISTANCE IN FEET (ONE WAY)
16	125
14	200
12	300
10	500

2. NORMAL/EMERGENCY LEADS ARE SIZED FOR LOAD AND LENGTH.

ITEM	PART NO.	DESCRIPTION OR MATERIAL	DATE
	DDAHLHEIMER		10-02-01
	J-MILLER		10-02-01
	J-MILLER		10-02-01

REV.	DATE	BY	CHK'D
1	0630-2252	HOME-STNDBY	

TOLERANCE UNLESS OTHERWISE SPECIFIED	
FRACTIONS	± 1/16
DECIMALS	± 0.005
ANGLES	± 30'
POSITIONS	± 0.005
CONCENTRICITY	± 0.005
ROUNDNESS	± 0.005

DO NOT SCALE PRINT	DATE	DATE	DATE
1 ± 0.8	1 ± 0.8	1 ± 0.8	1 ± 0.8

CUMMINS POWER GENERATION	
400-780 AVE. NE MINNEAPOLIS, MINNESOTA 55412	

DATE	DESCRIPTION	BY
11-19-01	RELEASE SHEET 5	JM MILLER
01-04-02	REVERSED 1-1 & 1-3	JM MILLER

← 1 2 3 4 5 6 →