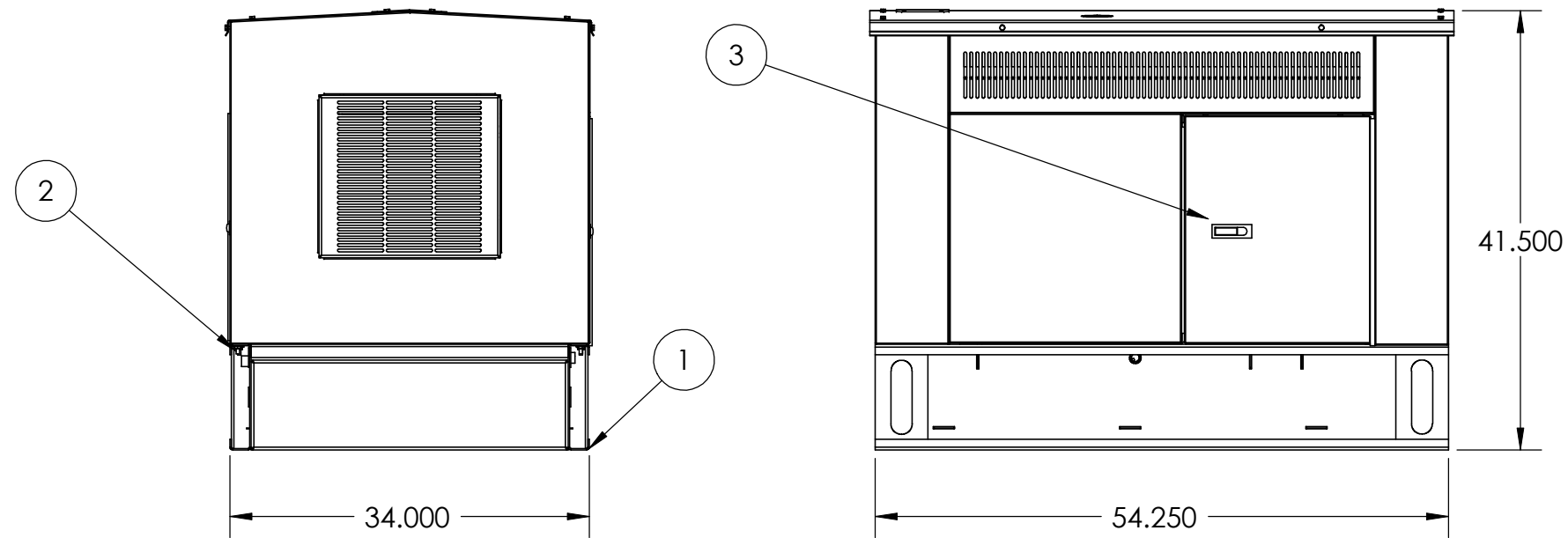
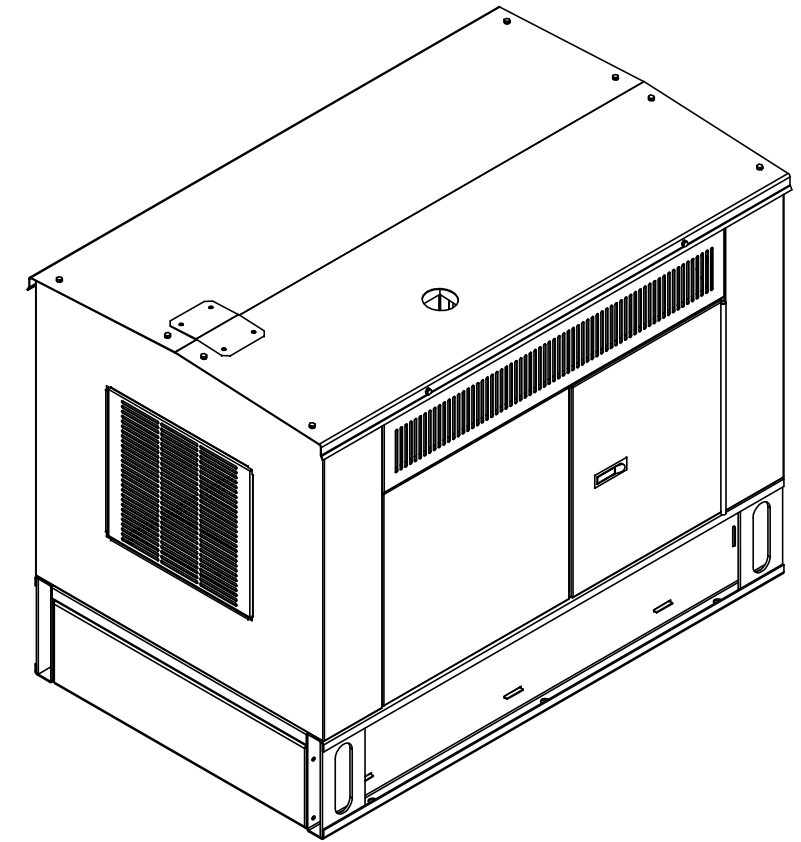


ITEM NO.	PartNo	DESCRIPTION	QTY.
1	401012-190	BASE ASSEMBLY DR12K2	1
2	474012-001	HOUSING ASSEMBLY DR12K2	1
3	402012-003	MLCB ASSEMBLY	1



UNLESS OTHERWISE SPECIFIED		MACHINED SURFACE TEXTURE		ALL DIMENSIONS GIVEN IN INCHES WORK TO DIMENSIONS FLAT OUTSIDE VIEW SHOWN UNLESS NOTED -DO NOT SCALE-			
FRACTIONS	ANGULAR						
1 PLACE DEC. .1	1.5						
2 PLACE DEC. .015							
3 PLACE DEC. .005							
THIS DRAWING CONTAINS PROPRIETARY INFORMATION BELONGING TO WINPOWER. UNAUTHORIZED USE IS PROHIBITED	DRAWN BY	DATE	CHK'D BY	DATE	ENG APPR.	DATE	SCALE
	CLR	9-15-10					
	MATERIAL:						
	FINISH:	NONE	TITLE: DR12K2				
	ASSY:						
MODEL:	DR12K2						
WINPOWER			PART NO. 1006643				