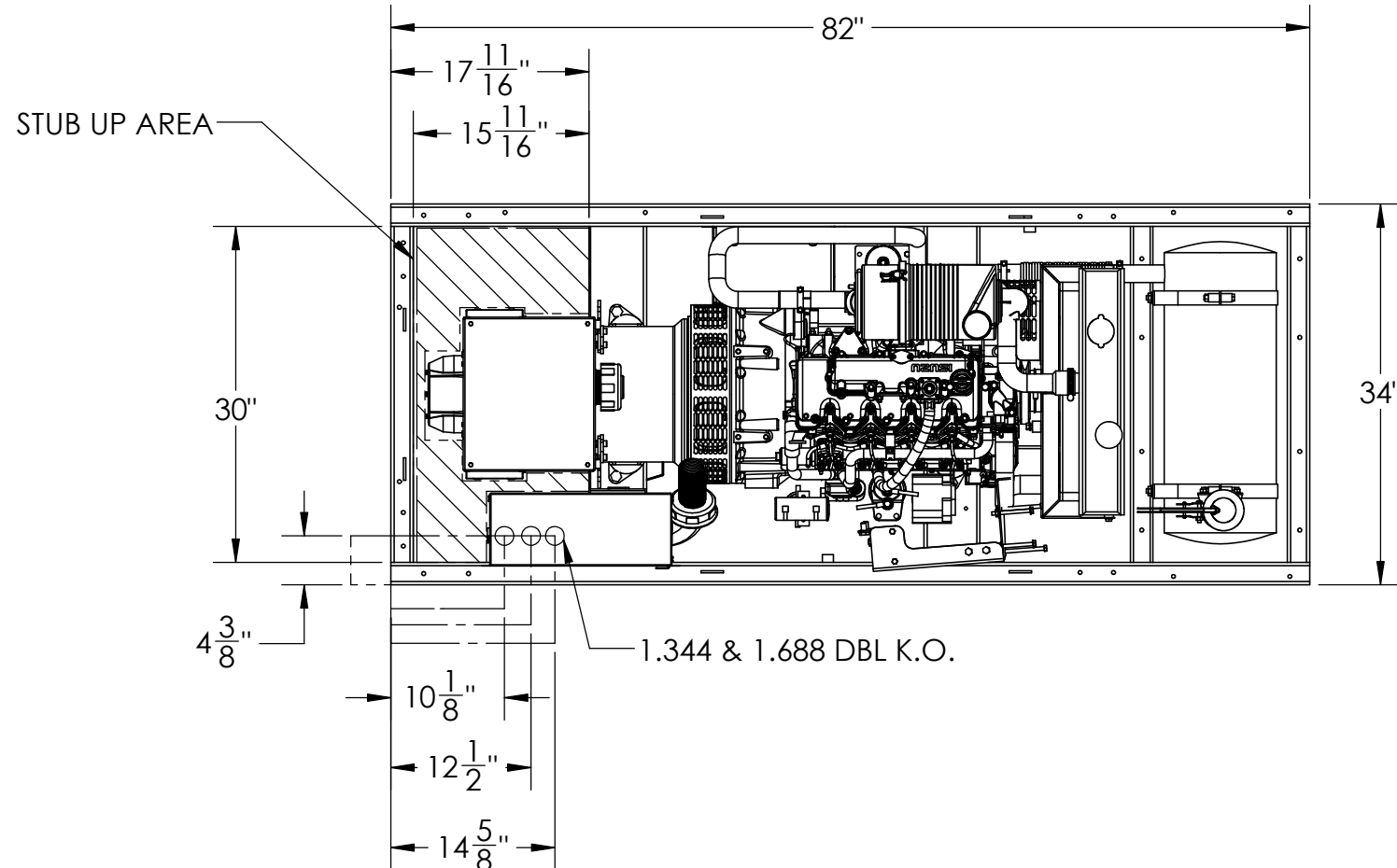
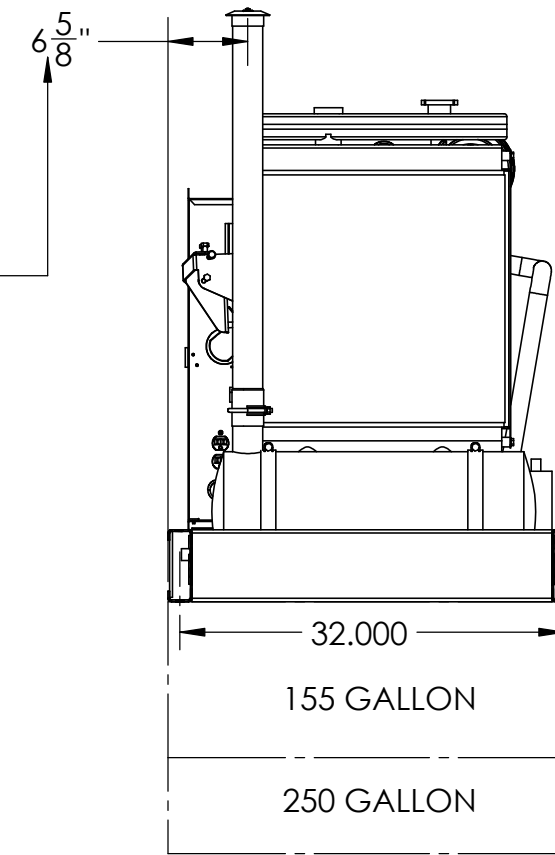
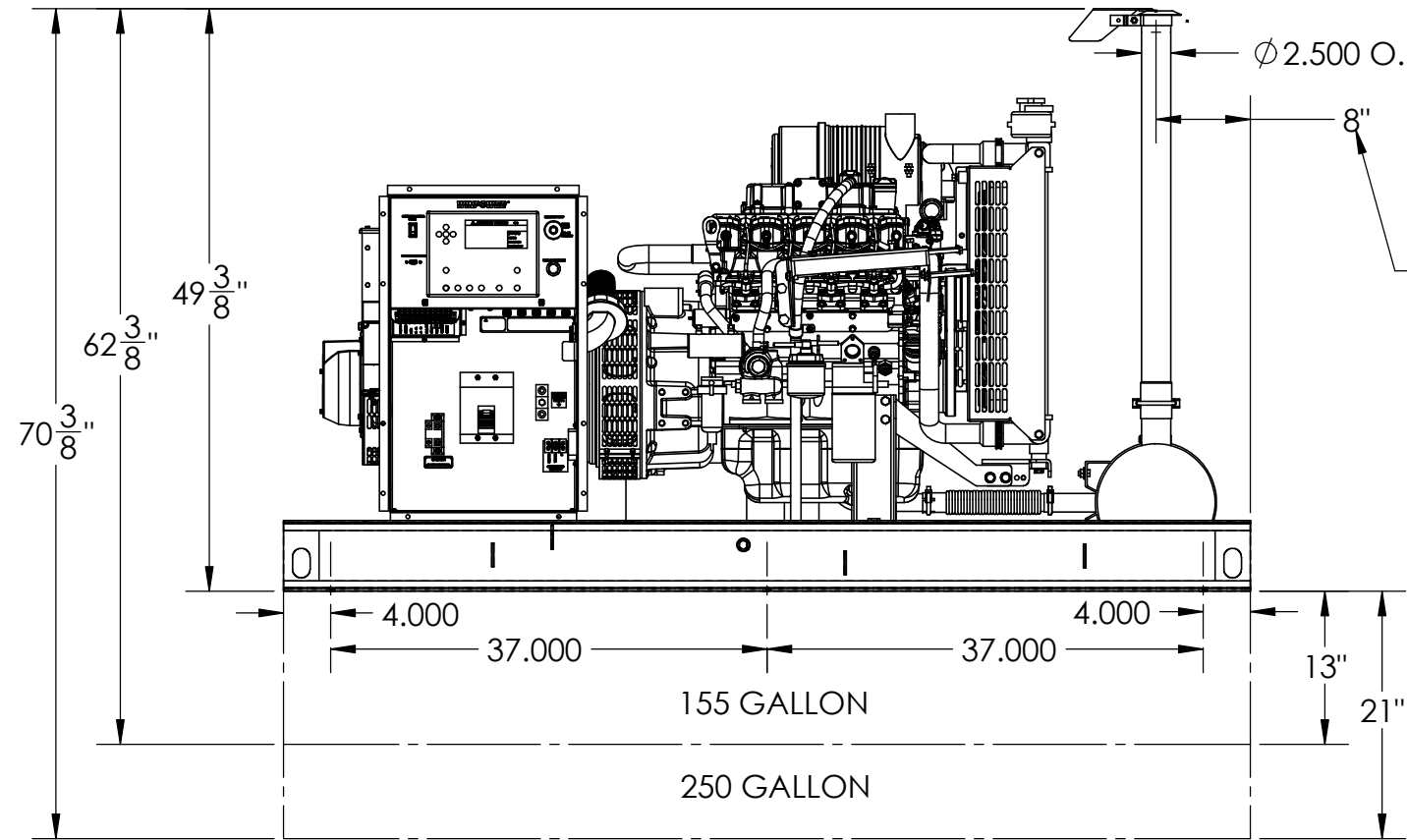


455030-900

REVISIONS					
REV	IRN	DESCRIPTION	DATE	BY	APP'D
A		ORIGINAL			



MOUNTING HOLES 1 1/16" DIAMETER

UNLESS OTHERWISE SPECIFIED				MACHINED SURFACE TEXTURE		ALL DIMENSIONS GIVEN IN INCHES WORK TO DIMENSIONS FLAT OUTSIDE VIEW SHOWN UNLESS NOTED -DO NOT SCALE-	
FRACTIONS	ANGULAR						
1 PLACE DEC. .1	1.5						
2 PLACE DEC. .015							
3 PLACE DEC. .005							
	DRAWN BY	DATE	CHK'D BY	DATE	ENG APPR.	DATE	SCALE
	CLR	05/04/12			CLR	05/04/12	
THIS DRAWING CONTAINS PROPRIETARY INFORMATION BELONGING TO WINCO. UNAUTHORIZED USE IS PROHIBITED	MATERIAL:						
	FINISH:						
	ASSY:						
	MODEL:	DR30I4-					
				TITLE:		DR30 OPEN SKID OUTLINE	
				PART NO.		REV	
				455030-900		A	

